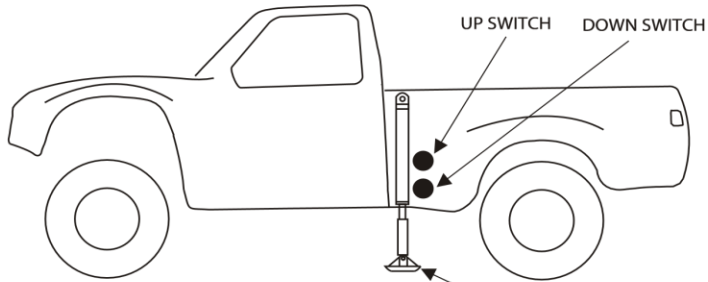
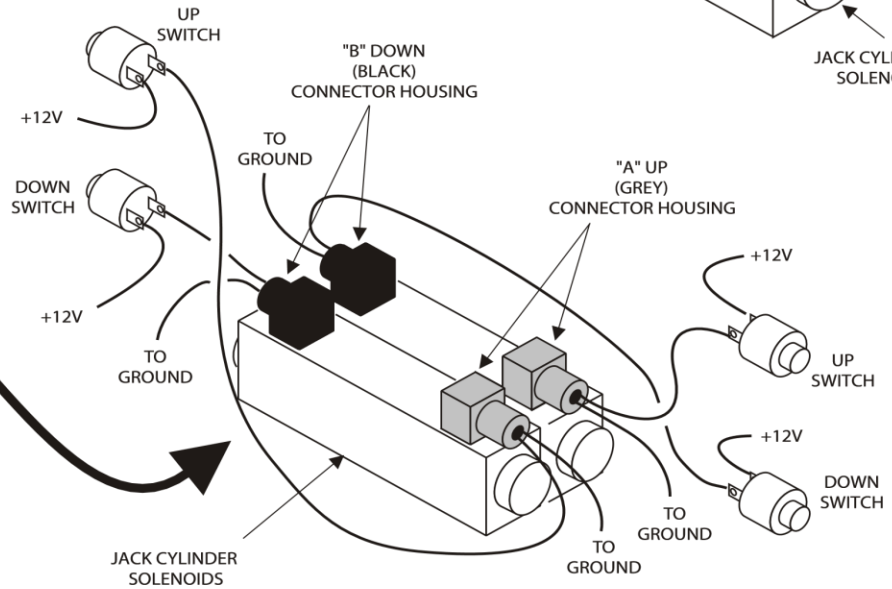
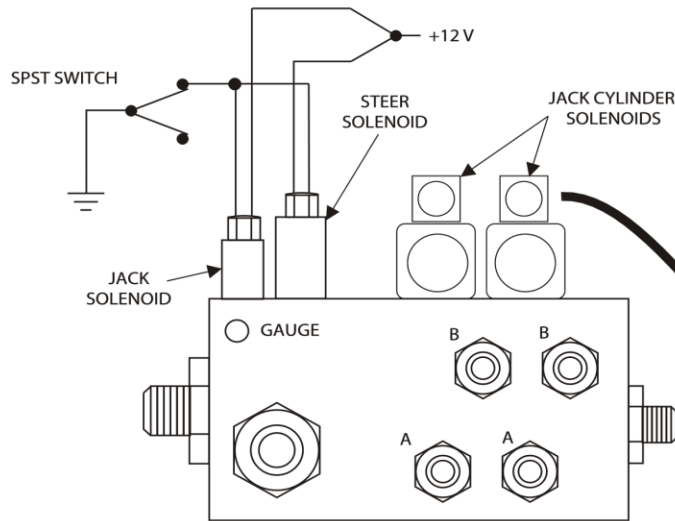
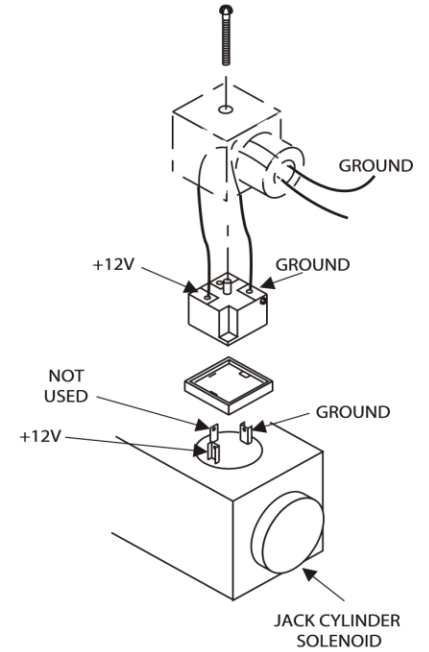
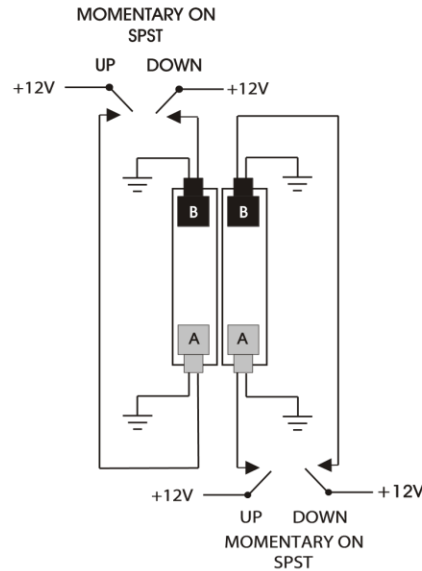


HYDRAULIC JACK ELECTRICAL SCHEMATIC

TYPICAL UP/DOWN SWITCH LOCATION



TYPICAL JACK LOCATION. POSITIONED WHERE THE JACK WILL LIFT BOTH WHEELS OFF GROUND WHEN EXTENDED. (SHOWN WITH JACKING PAD INSTALLED. MUST BE REMOVED WHEN JACK IS IN THE UP POSITION.)



HYDRAULIC JACK SCHEMATIC



IN THE JACK POSITION
SWITCH AND SAFETY COVER

