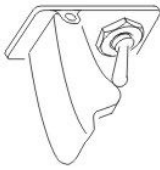


# HYDRAULIC JACK HYDRAULIC SCHEMATIC



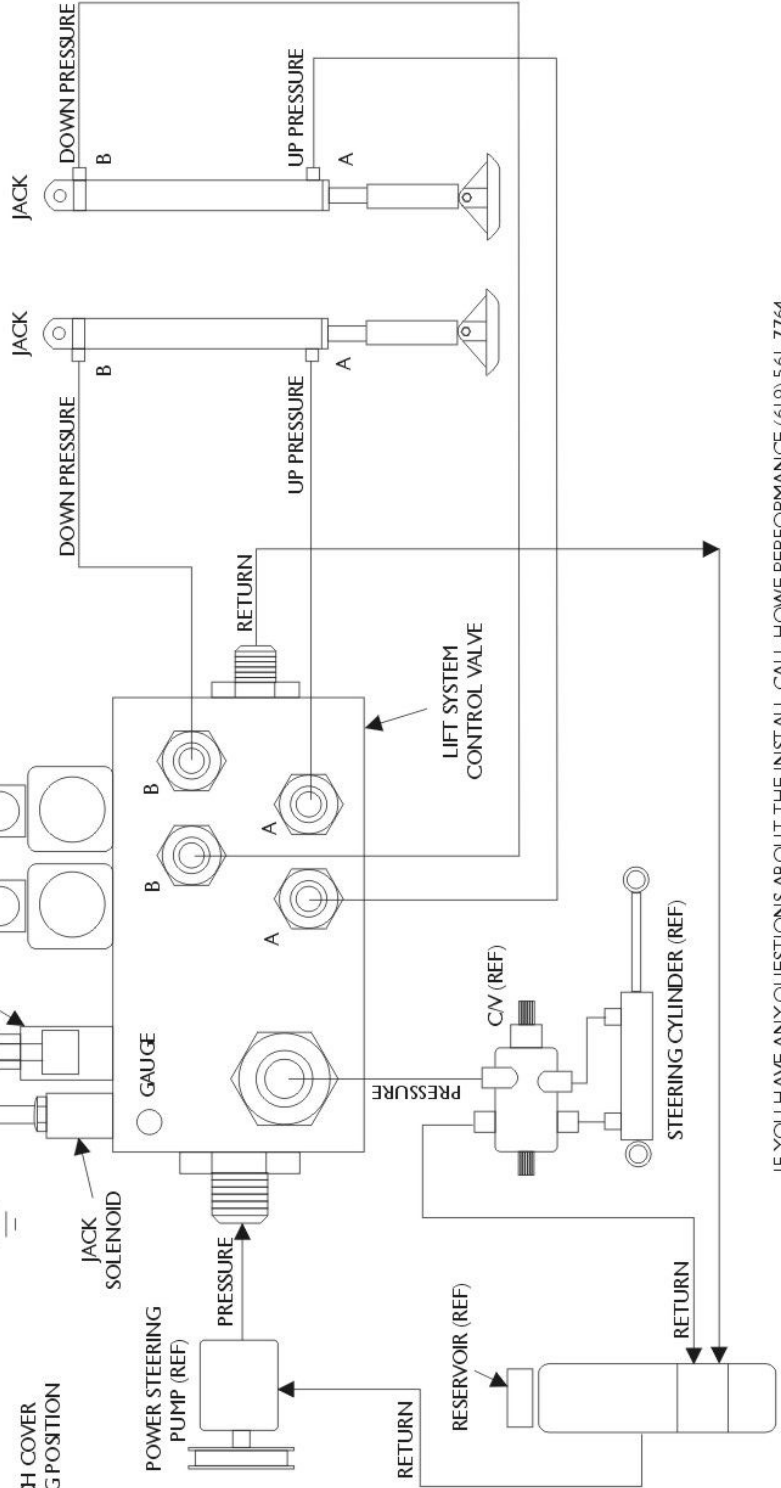
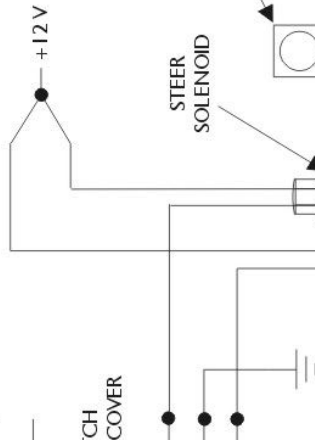
SWITCH AND SAFETY COVER  
IN THE JACK POSITION



SPDT SWITCH  
WITH SAFETY COVER



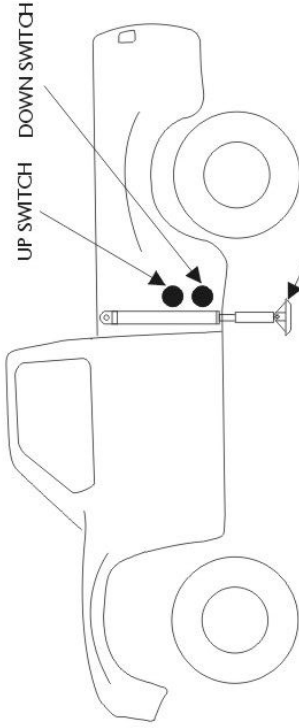
SAFETY SWITCH COVER  
IN THE STEERING POSITION



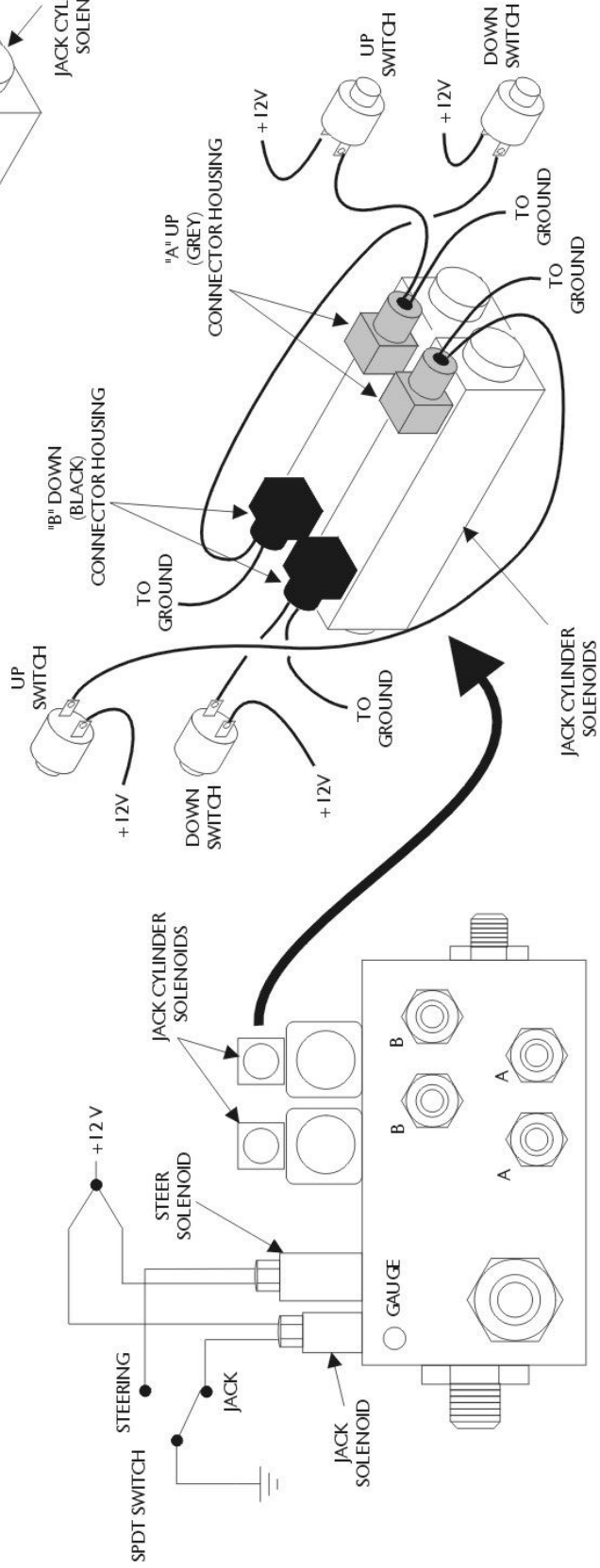
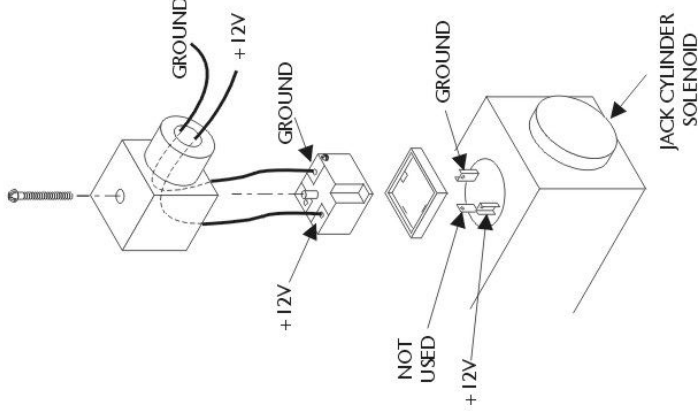
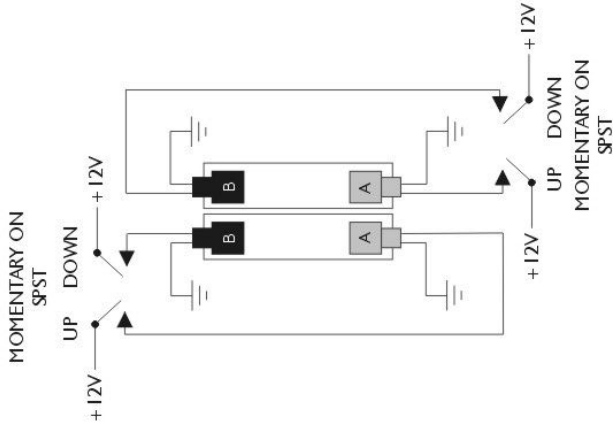
IF YOU HAVE ANY QUESTIONS ABOUT THE INSTALL CALL HOWE PERFORMANCE (619) 561-7764

# HYDRAULIC JACK ELECTRICAL SCHEMATIC

## TYPICAL UP/DOWN SWITCH LOCATION



TYPICAL JACK LOCATION. POSITIONED WHERE THE JACK WILL LIFT BOTH WHEELS OFF GROUND WHEN EXTENDED. (SHOWN WITH JACKING PAD INSTALLED. MUST BE REMOVED WHEN JACK IS IN THE UP POSITION.)



IF YOU HAVE ANY QUESTIONS ABOUT THE INSTALL CALL HOWE PERFORMANCE (619) 561-7764