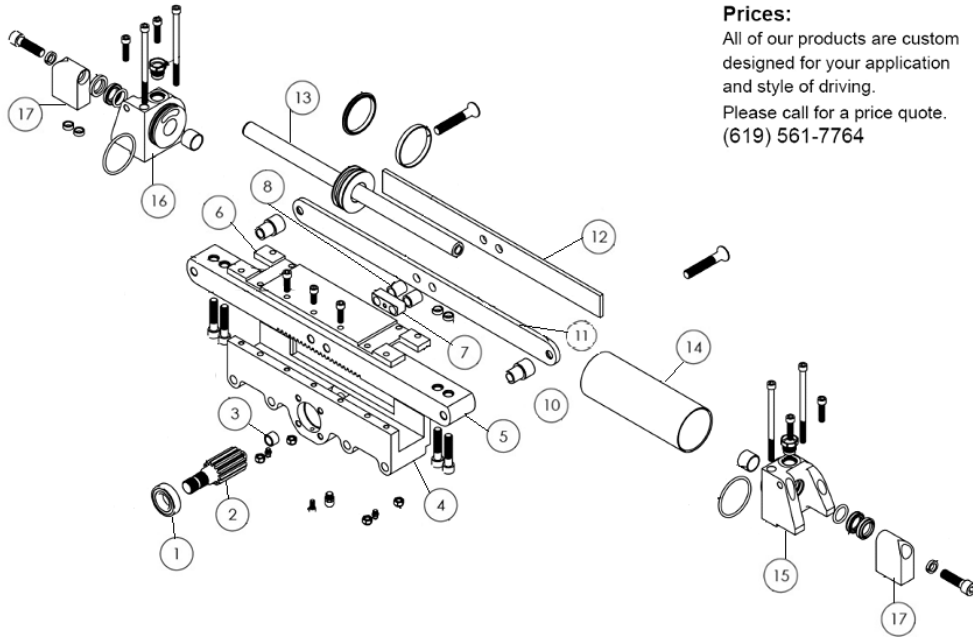


Howe Performance

110 - 2.75 X 6.0 TRAVEL POWER RACK WS 1.5 TO 1



Prices:

All of our products are custom designed for your application and style of driving.

Please call for a price quote.
(619) 561-7764

For Off Hwy use only! All sales are final after 90 days. 15% Restock fee on all returns. No returns on custom parts. Copy of invoice must accompany all returned items. Not liable for installs or parts modifications. Seller will not be responsible for any labor time or charges incurred for any reason.

WARRANTY DISCLAIMER

Because of their intended usage, the manufacturer makes no warranties whatsoever, express or implied, oral or written to purchasers of their products regarding performance, safety, fit, merchantability, or length of service. Purchasers are responsible for selection of proper goods and must rely on their own skill or judgment that such goods are suitable for purchasers' application.

PART #	DESCRIPTION
110L	LABOR
110S	SEAL KIT
110H	HARDWARE KIT
1	BEARING
2	PINION GEAR
3	BUSHING
4	HOUSING
5	RACK SHAFT
6	TOP PLATE
7	CENTER BLOCK
8	CENTER SPACER
10	OUTER SPACER
11	LONG SLIDER BAR
12	SHORT SLIDER BAR
13	RAM SHAFT W/ PISTON
14	RAM TUBE
15	END CAP RIGHT - RAM ASSEMBLY
16	END CAP LEFT - RAM ASSEMBLY
17	END BLOCK (STEEL)